

HX17A z HX19A

COMPACT EXCAVATOR



Gross Power
16.2 hp (12.1 kW) at 2400rpm

Bucket Capacity
0.04 m³

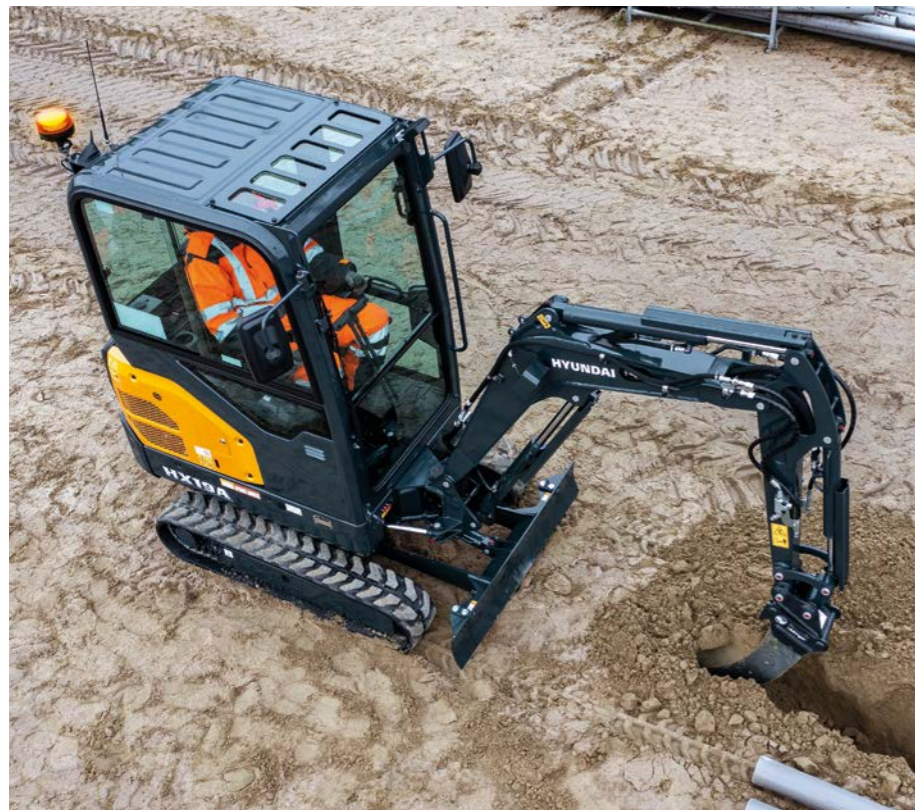
Operating Weight
1850 – 2020 kg

BREAKING STANDARDS IN PRODUCTIVITY & PERFORMANCE

Introducing two new HX A-Series compact tracked excavators, the HX17A Z with zero tailswing and the HX19A with conventional, minimal tail overhang. Both benefit from a brand-new Stage V engine with 16.2 hp (12.1 kW) gross power. The two machines are also available with quick coupler fitting for easy attachment changes to increase your productivity.

Greater efficiency

The new engine meets EU Stage V emission regulations without the need of special exhaust-aftertreatment, resulting in reduced maintenance costs for after-treatment devices.



2 Way Auxiliary Piping

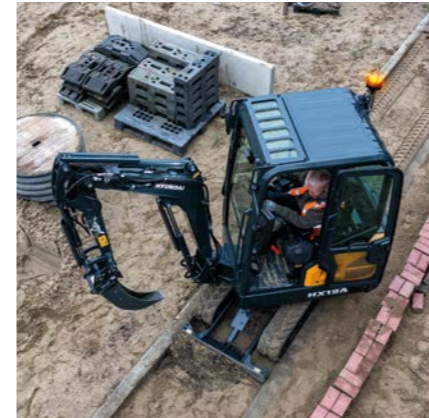
Both machines are equipped with 2 way auxiliary piping as standard. Single or double acting mode can be selected by the operator.

Long arm option

Several dipper arm length options are available to perfectly adapt your machine to match the job in hand.

Quick Coupler piping

The HX-A mini excavators are available with an optional factory-fitted hydraulic line to operate any hydraulic quick coupler. This allows quick changes of attachments, without having to leave the cabin.



Compact power

The HX19A comes with minimal overhang and offers more digging and lifting power. It is available with a cabin or an optional canopy version.

Heavy counterweight option

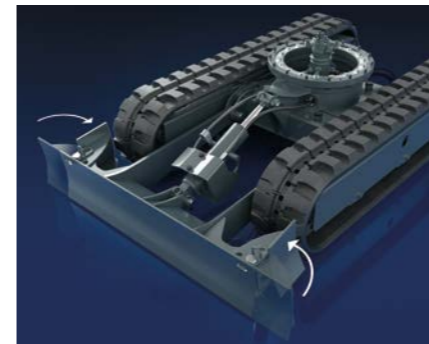
The HX-A mini excavators can be fitted with an additional counterweight for increased stability when handling heavy loads.

Mono boom swing

The boom swings independently in a wide angle to extend the working range for the operator.

Tailored to your needs

The extendable tracks & adjustable dozer offer more stability when working while facilitating transport.



True Zero-tail

The HX17A Z is a true zero tailswing excavator which eliminates the rear overhang, allowing it to rotate freely within its own footprint. This feature enhances manoeuvrability and safety while minimising the risk of damage to surrounding structures.



BREAKING STANDARDS IN COMFORT & EASE OF USE

Our new cabin has been designed with operator comfort and convenience in mind. Optimised ergonomics and advanced features allow you to work with greater ease and efficiency. With its spacious interior and high-visibility design, our new cabin offers an unparalleled level of comfort and safety, ensuring that you can work for extended periods without fatigue or discomfort.



New 5-inch digital display

The HX-A mini excavators have a new 5-inch LCD full-color display monitor, allowing you to easily control excavator settings and quickly access critical functions and daily operations. The LCD monitor is also IP68 waterproof, especially important if working in a canopy model.

Excellent visibility

Experience a whole new level of visibility with our latest cabin design. Enhanced visibility provides you with a wider and more expansive field of view, giving you a clear and unobstructed view of your surroundings.

Adjustable auxiliary pressure monitor

You can adjust the hydraulic attachment flow using the digital display on both models as standard, for improved speed and ease-of-use.

Auto-shift travel speed

When handling heavy loads or mounting a slope, the travel motor speed shifts down into first gear. This increases the tractive effort. The travel motor will automatically switch back into fast gear once the load is reduced. This results in high productivity at all times.



Dozer blade lever and Drive speed switch **A**

Two-handed operation for skilful and efficient levelling with drive mode changeover on the drive lever handle.

Proportional joysticks **OPTION B**

The proportional joysticks greatly improve the operability of your machine and your attachments.



Modern audio system

Relax with convenient modern functions like the MP3 radio with added USB ports and enjoy hands free calls.

BREAKING STANDARDS IN SAFETY

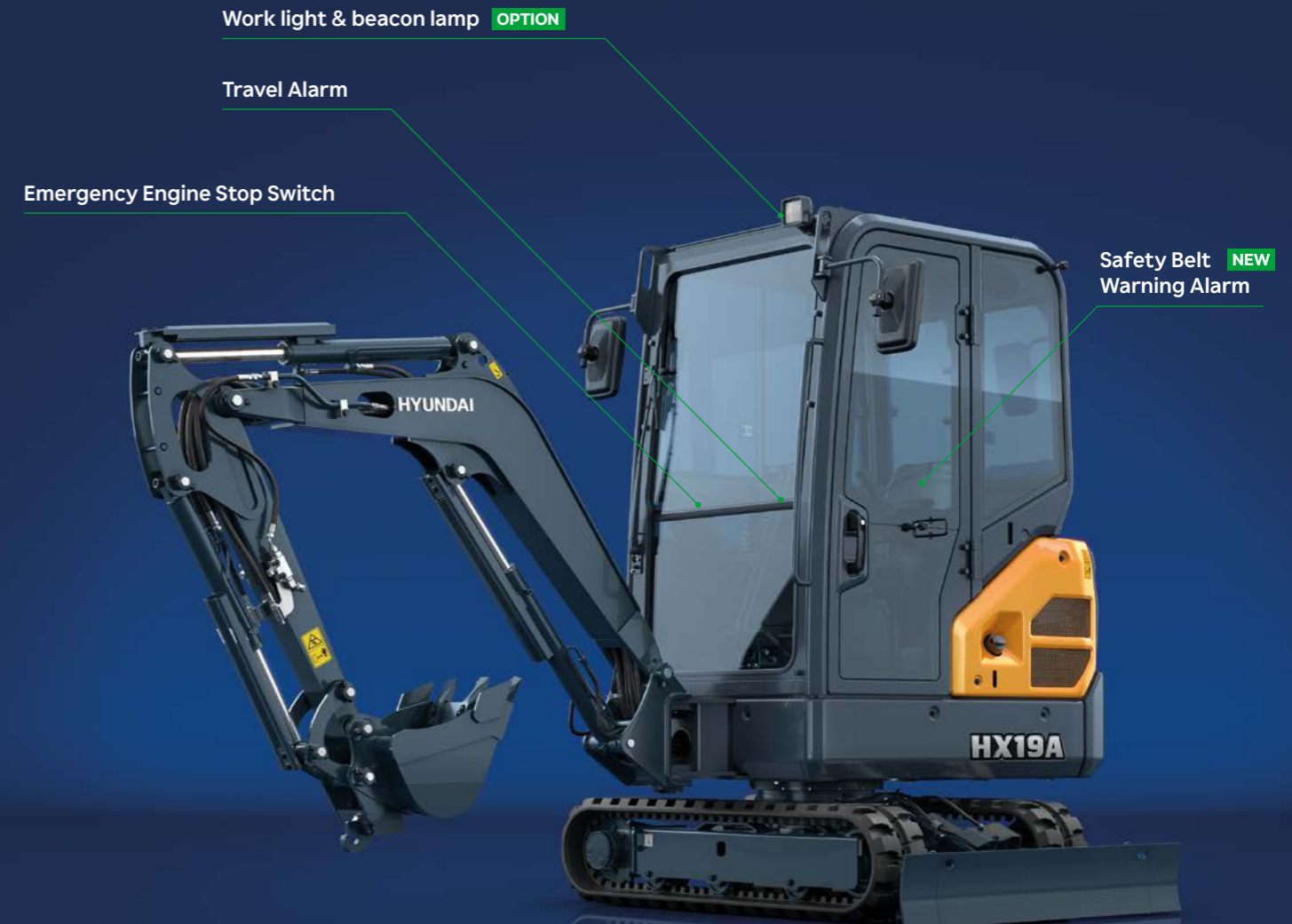
HD Hyundai excavators have some of the highest safety standards in the industry, offering state-of-the-art features, some of which are unique in the industry. Our philosophy is to care for the machine, operator and the environment.

Auto Safety Lock

The auto safety lock prevents unintentional ignition and machine movement. When the safety lever is locked, the engine cannot be started and the system will not engage, even if the joystick is pressed.

Hydraulic accumulator

A reservoir reserves a little pressure when the machine's off, enabling you to lower the boom and arm and leave your equipment in a safe place after use.



Cabin structure

The HX A-Series cabin structure uses integrally welded low-stress, high strength steel to meet ROPS, TOPS and FOG certification.

- **ROPS:** Roll-Over Protective Structures ISO12117-2
- **TOPS:** Tip-Over Protective Structures EN12531
- **FOG:** Falling Object Guard, ISO10262 Level2

Anti-theft system

The system includes a password-protected ignition key, to prevent the engine from starting without the correct key. Additionally, there is an optional GPS tracker (Hi-Mate) that allows you to quickly locate the machine in case of theft.

Safety valves

The safety valve on the dozer blade cylinder ensures safe digging or lifting with the blade down, even in case of a sudden pressure drop.

Boom, arm & bucket cylinder guards

We have added new cylinder guards as standard to the boom, arm, and bucket to provide increased protection. They effectively shield the hydraulic cylinders from damage caused by debris and other external factors, reducing the risk of downtime and costly repairs.



BREAKING STANDARDS IN SERVICEABILITY & TELEMATICS

The true value of HX A-Series machines lies in their durability with robust structures and attachments, as well as easy access for maintenance and long service intervals. Cutting-edge telematics allows owners and operators to access vital machine information onboard and remotely.

Designed for easy maintenance

Our machines feature wide opening access panels. These panels provide ample space for you to reach and service key components with ease.

Optimized hydraulic hose layout

Our new boom design ensures hydraulic hoses are routed inside the boom for better protection to avoid damage when working, enhancing safety and durability.



Dozer cylinder maintenance

Chassis connections allow for the easy replacement of hoses, ensuring easier servicing and maintenance.

HiMATE

It's convenient, easy and valuable. Hi MATE, Hyundai's remote management system, utilises GPS satellite technology to provide customers with the highest level of service and product support available.

Increase productivity

By providing information such as service hours, and idle time, Hi MATE saves you money and improves productivity. Service alerts enable better maintenance planning.

Monitor your machines

Hi MATE's real-time location information allows convenient monitoring of your equipment via the Hi MATE website or mobile app.

Improve Security

Protect your equipment from theft or unauthorised usage. Hi MATE's geofencing alerts notify you automatically when a machine leaves a predetermined zone.

Mobile fleet app

Our new mobile app provides all the information you need to run your equipment more efficiently and economically. It has been optimised for fleet management, providing health insights based on telematic technology to keep your machines working at maximum performance.



Keeping you covered

Hyundai Genuine Parts and accessories are designed to keep your machine running at optimum performance, with 24-hour delivery across our dealer network. Hyundai Standard and Extended Warranty Programmes provide peace of mind and give you full control over your operating costs.



HX17A Z / HX19A SPECIFICATIONS

SPECIFICATIONS		HX17A Z	HX19A
Operating weight	kg	1850	1885 / 2020
ENGINE		HX17A Z	HX19A
Manufacturer		Kubota	Kubota
Model		D902	D902
Type		Vertical, water cooled 4-cycle IDI diesel engine	Vertical, water cooled 4-cycle IDI diesel engine
Emission standard		EU-Stage V (Tier 4 final)	EU-Stage V (Tier 4 final)
Gross	hp (kW)/rpm	16.2 (12.1) / 2400	16.2 (12.1) / 2400
Net	hp (kW)/rpm	16.0 (11.9) / 2400	16.0 (11.9) / 2400
Peak torque	Nm/rpm	54.6 / 1900	54.6 / 1900
No. of cylinders		3	3
Bore x Stroke	mm	72 x 73.6	72 x 73.6
Displacement	cc	898	898

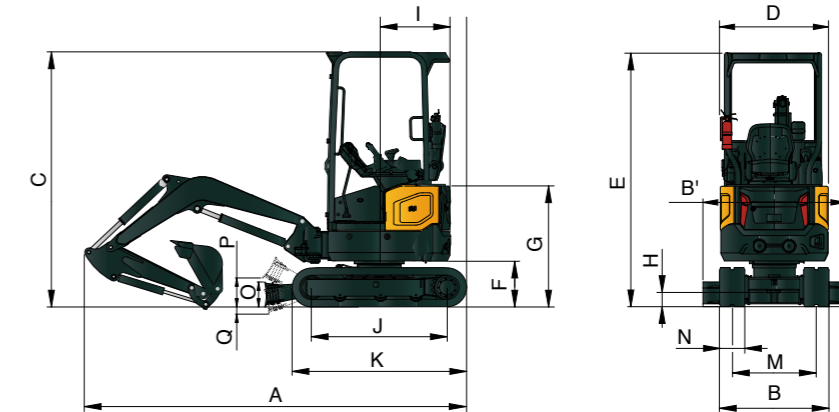
HYDRAULIC SYSTEM		HX17A Z	HX19A
Pump type		Variable displacement tandem axis piston	Variable displacement tandem axis piston
Max. pressure	kgf/cm ²	210 (2990)	210 (2990)
Max. flow rate	l/min	2 x 17.3 + 10.4	2 x 17.3 + 10.4
Aux. flow rate (2way)	l/min	277	277
Fuel tank capacity	L	19.5 (5.2)	21.3 (5.6)
Hydraulic capacity (tank/system)	L	12.1 (3.2)	20 (5.3)

PERFORMANCE		HX17A Z	HX19A
Bucket breakout force (ISO)	kN (kgf)	16 (1664)	16 (1664)
Arm tearout force (ISO)	kN (kgf)	9 (933)	9 (933)
Travel speed (high/low)	km/h	4.1 / 2.2	3.7 / 2.1
Traction force	kg	1420	1441
Swing speed	rpm	916	9.21

KEY SPECIFICATIONS		HX17A Z	HX19A
Boom length	m	1.75	1.75
Arm length	m	1.03 / 1.23	1.03 / 1.23
Bucket capacity, std. SAE	m ³	0.04	0.04
Boom swing angle left/right	degree	55° / 59°	55° / 59°
Rubber track width	mm	230	230
Ground pressure (cpy/cab)	kgf/cm ²	0.31	0.31 / 0.34
Sound level			
Exterior sound level (2000/14/EC - ISO 6395:2008) Lwa	dB(A)	93	92
Interior sound level (ISO 6396:2008) Lpa	dB(A)	N/A	75.3

HX17A Z / HX19A DIMENSIONS & WORKING RANGE

MACHINE DIMENSIONS



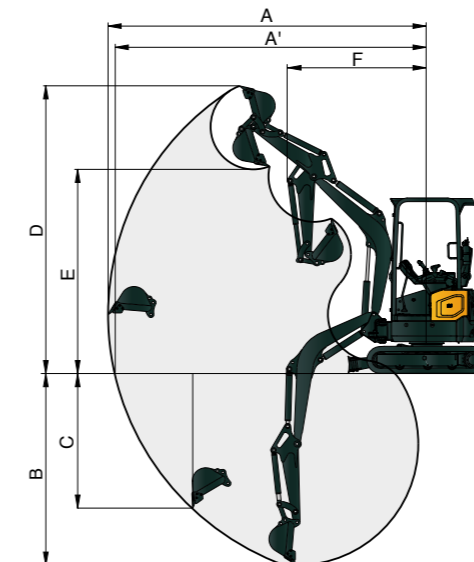
Unit: mm

	HX17A Z	HX19A
	1.75m boom, 1.03m arm	1.75m boom, 1.03m arm, Cabin
A Overall length (with 1230mm arm)	3531 (3528)	3837 (3835)
B Overall width (extension crawler)	994-1290	994-1290
B' Overall width (dozer blade)	1294	1294
C Overall height (canopy)	2320	2275
D Overall width of upperstructure	980	980
F Ground clearance of counterweight	415	415
G Overall height of engine hood	1095	1240
H Minimum ground clearance	150	150
I Rear-end distance	645	1065

	HX17A Z	HX19A
	1.75m boom, 1.03m arm	1.75m boom, 1.03m arm, Cabin
J Distance between tumbler	1230	1230
K Undercarriage length	1580	1580
M Track gauge (extension crawler)	764-1060	764-1060
N Track width	230	230
O Height of blade	225	225
P Ground clearance of blade up	183	183
Q Depth of blade down	222	222

WORKING RANGE

Unit: mm



	HX17A Z		HX19A	
Boom length	1750		1750	
Arm length	1030	1230	1030	1230
A Max. Digging reach	3910	4100	3940	4130
A' Max. Digging reach on ground	3820	4010	3850	4040
B Max. Digging reach depth	2240	2440	2340	2540
B' Max. Digging reach depth (8' level)	1600	1880	1740	2000
C Max. Vertical wall digging depth	1750	1940	1840	2020
D Max. Digging height	3730	3870	3470	3585
E Max. Dumping height	2670	2810	2440	2550
F Min. Swing radius	1580	1645	1725	1760

HX17A Z / HX19A

STANDARD/OPTIONAL EQUIPMENT

MODEL	HX17A Z	HX19A
Mechanical controlled engine	•	•
Double-element air filter	•	•
Water separator with filter	•	•
HYDRAULIC SYSTEM		
Open center hydraulic system	•	•
Two-speed travel with auto-shift	•	•
Pressure accumulator	•	•
Proportional Aux. control	□	□
1 way Aux. hydraulic line for breaker	•	•
2 way Aux. hydraulic line for grapple	•	•
Adjustable Aux. flow on cluster	•	•
CABIN & CANOPY		
Canopy	•	□
Cabin with heater		•
ROPS (Roll-Over Protective Structure)	•	•
TOPS (Tip-Over Protective Structure)	•	•
OPG (Operator Protective Guard)	•	•
FOG (Falling-Object Guard)	□	□
Adjustable suspension seat	•	•
Seatbelt with warning alarm	•	•
Travel levers	•	
Travel levers with foot pedals		•
Power-assisted front window (Cabin)		•
Travel alarm	•	•
LED beacon lamp	□	□
5" Digital cluster IP68 water & dust proof	•	•
Radio MP3 with USB		•
12V power socket	•	•
Side & Rear Mirrors	•	•
WORKING EQUIPMENT		
Boom swing function	•	•
Long arm option	□	□
Quick coupler piping	□	□
Additional counterweight	□	
Safety valve on blade cylinder	•	•
Travel & Swing motor with disc brake	•	•
1 LED work light on boom	•	•
2 LED work lights on cabin		□
Extendable undercarriage with adjustable blade	•	•
Rubber tracks	•	•
Hi MATE telematic system	□	□

- Standard
- Optional

* Standard and optional equipment may vary. Contact your Hyundai dealer for more information. The machine may vary according to International standards.

* The photos may include attachments and optional equipment that are not available in your area.

* Materials and specifications are subject to change without advance notice.

HYUNDAI



HD Hyundai Construction Equipment Europe nv, Hyundailaan 4,
3980 Tessenderlo, Belgium. Tel: (32) 14-56-2200 Fax: (32) 14-59-3405

Specifications and design are subject to change without notice.
Pictures of Hyundai Construction Equipment Europe products may
show other than standard equipment.

READY TO CHANGE YOUR WORLD?

Contact your Hyundai dealer.
hyundai-ce.eu/en/dealer-locator