

MOVING YOU FURTHER

HX160L

With Tier 4 final / Stage IV Engine installed



*Photo may include optional equipment.

Net Power

SAE J1349 / 96 kW (128 HP) at 2,050 rpm

Gross Power

SAE J1995 / 102.1 kW (137 HP) at 2,050 rpm

Travel Speed

5.3 km/hr (3.29 mph) / 3.2 km/hr (2.00 mph)

Operating Weight

18,100 kg / 39,900 lb



RULE THE GROUND

The HX Series excavators are products of HHI's spirit of initiative, creativity and strong drive. HHI's engineers, who are the best in the industry, have worked tirelessly to offer a zero-defect product. The new HX Series reflects customers' needs in the field gleaned by thorough monitoring. They maximize fuel efficiency and performance proven by rigorous field tests and quality control.



*Photo may include optional equipment.

RULE THE GROUND

The HX series exceeds customers' expectation!
Become a true leader on the ground with HHI's HX series.

HX160 L



WORK MAX, WORTH MAX

- ECO Gauge
- IPC (Intelligent Power Control)
- New Variable Power Control
- Electronic Viscous Fan Clutch
- Attachment Flow Control (Option)
- New Cooling System with Increased Air Flow
- Enlarged Air Inlet with Grill Cover
- Cycle Time Improvement
- Boom Floating Control (Option)



MORE RELIABLE, MORE SUSTAINABLE

- Durable Cooling Module
- Reinforced Pin, Bush and Polymer Shim
- Reinforced Durability of Upper and Lower Structure and Attachments
- Hi-grade (High-pressure) Hoses



INFOTAINMENT FRONTIER

- Intelligent and Wide Cluster
- Haptic Control
- Wi-Fi Direct with Smart Phone (Miracast)
- Proportional Auxiliary Hydraulic System
- New Audio System
- New Air Conditioning System



MODERN COMFORT, SIMPLE AND SAFE SOLUTION

- AAVM (Advanced Around View Monitoring) Camera System (Option)
- Easy Access to DEF/AdBlue® Supply System
- Hi MATE (Remote Management System) (Option)
- Viscous Suspension Mount
- Swing Lock System (Option)
- Fine Swing Control (Option)



*Photo may include optional equipment.



*Photo may include optional equipment.

Cycle Time Improvement

The HX Series provides higher productivity on the site by faster operation: it loads trucks up to 4% faster and levels up to 10% faster than the 9 Series.

Boom Floating Control (Option)

In order to achieve efficient leveling work by arm-in and arm-out operation with the boom fixed, the HX Series applies boom floating control, allowing stable operation even in high-load work.

WORK MAX, WORTH MAX

Fuel Efficient System, Allows Great Performance

The HX Series has an eco-friendly, high-performance engine which ensures both excellent fuel efficiency and high power. With outstanding operating performance proven by rigorous tests at various work sites, it will satisfy any customer's needs.



ECO Gauge

ECO Gauge enable economic operation of machines. The gauge level and color displays engine torque and fuel efficiency level. On top of that, the status of fuel consumption such as average rate and the total amount of fuel consumed are displayed. Hourly and daily based fuel consumption can be checked in the detailed menu as well.



IPC (Intelligent Power Control)

The IPC controls power control depending on work environments. Its mode can be selected and released on the monitor. On the excavation mode, pump flow can be easily controlled by a lever, reducing fuel consumption.

New Variable Power Control

The HX Series minimizes equipment input and output control signals to improve fuel efficiency. Its three-stage Power mode ensures the highest performance in any operating environment.

* P (power) mode: Maximizes speed and power of the equipment for heavy load work.

* S (standard) mode: Optimizes performance and fuel efficiency of the equipment for general load work.

* E (economy) mode: Improves the control system for light load work.

Electronic Viscous Fan Clutch

The electronic fan clutch reduces noise during operation by precisely controlling RPM depending on the hydraulic oil and coolant temperature of the working vehicle, and minimizes fuel consumption. It is also possible to shorten the warm up time of hydraulic oil.



Attachment Flow Control (Option)

The HX Series improves pump flow rate by independent control of two pumps. It optimizes attachments for effective flow rate setting depending on attachments (ten breaker types and ten crusher types), enabling various operations matching the site environments.



Enlarged Air Inlet with Grill Cover

Enlarged vent hole of the air inlet side cover and fine net grill to prevent penetration of foreign materials further improve durability.

New Cooling System with Increased Air Flow

The HX Series provides excellent cooling performance by increasing heat dissipation and can be easily cleaned.

MORE RELIABLE, MORE SUSTAINABLE

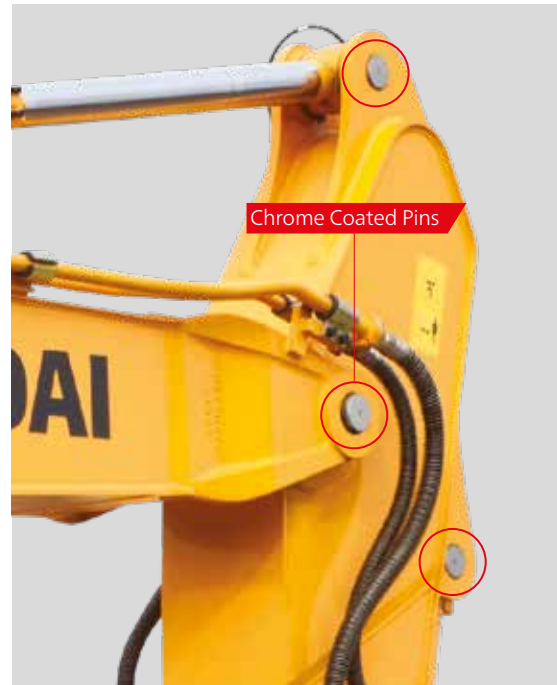
New Exterior Design for Robustness and Safety

The true value of the HX Series lies in its durability. The robust upper and lower frame structure that can endure external shock and high-load work and the attachments whose performance was proven by rigorous tests further show the real value of the HX Series in tough working environments and promise higher productivity.



Durable Cooling Module

The HX Series has a durable cooling module that passed stringent tests, demonstrating the highest productivity in tough working environments.



Chrome Coated Pins



Reinforced Durability of Upper and Lower Structure and Attachments

The upper and lower structure and attachments of the HX Series have higher durability than demanded on the site, as proven through numerous tests including road tests and virtual simulation. The wear resistance of the bucket has been improved by use of new material.

Reinforced Pin, Bush and Polymer Shim

The HX series improves lubricity of connecting parts between the equipment and attachments. Gaps with attachments are minimized by wear-resistant long-life pins, bushes and polymer shims, supporting the highest performance with invariable durability.



*Photo may include optional equipment.

Hi-grade (High-pressure) Hoses

The HX Series uses high-pressure hoses with improved heat and pressure resistance, greatly increasing the durability of the equipment.



New Air Conditioning System

With further improved air conditioning and heating, the HX Series increases the APTC capacity by 15% to provide a pleasant environment for operators all the time. The ventilation was designed such that warm and cool air even reach operators' faces (increasing their work satisfaction) or allowing pleasant working environment.

INFOTAINMENT FRONTIER

Enhanced Instrument Panel for Easier Monitoring

Many electronic functions are concentrated on the most convenient spot for operators to ensure work efficiency. The highly-advanced infotainment system, a product of HHI's intensive information technology, enables both productivity and pleasant work at the same time! The HX Series of HHI provides higher value and pleasure to customers.



Intelligent and Wide Cluster

The 8-inch capacitive-type display (like smartphone display) of the HW Series is 30% larger than the previous model, delivering excellent legibility. The centralized switches on the display allow convenience of checking the urea level and temperature outside the cabin. The audio AUX, air conditioner, heater interoperation, wiper, lamps, overload warnings, travel alarm and inclination sensor also maximize operator's convenience.



Haptic Control

The integrated jog shuttle-type haptic controller applies to the accelerator, remote air conditioner controller and operation of the cluster, allowing convenient operation. In the event of failure of the haptic switch, the emergency mode is activated on the cluster to ensure fail-safe function.



New Audio System

Radio player, USB-based MP3 player, integrated Bluetooth hands-free feature, and built-in microphone allow convenient phone calls while in work and in transit. The radio player was moved to the right side from the rear, allowing easier access.

Wi-Fi Direct with Smart Phone (Miracast)

The Miracast system based on Wi-Fi of the operator's smart phone enables easy and convenient use of various features of the smart phone on the big screen including navigation, web surfing, viewing of videos, and listening to music. (For Android mobile phone now)

Proportional Auxiliary Hydraulic System

- Opt: Proportional control switch for better speed control
- Enlarge the operation convenience

MODERN COMFORT, SIMPLE AND SAFE SOLUTION

New Cabin for More Comfort

Low noise, low vibration, and ergonomic design make the cabin space more comfortable and pleasant! With focus on safety and convenience of operators, the HX Series allows rapid and safe equipment inspection anytime and anywhere, providing an optimal environment for operators to work.



AAVM (Advanced Around View Monitoring) Camera System (Option)

The HX Series has a state-of-the-art AAVM video camera system to secure field of vision for operators in all directions, thereby preventing accidents. Operators can easily check the workplace in the front, rear and to the right and left.



* AAVM (Advanced Around View Monitoring): Secure field of vision in all directions by nine views including 3D bird's eye view and 2D/4CH view.

* IMOD (Intelligent Moving Object Detection): Inform when people or dangerous objects are detected within the range of operation (recognition distance: 5 m).



Easy Access to DEF/AdBlue® Supply System

The DEF/AdBlue® tank is installed inside the tool box and its inlet is remotely located for easy access and convenient supply. Warning of overfill is given by a red lamp signal. The DEF/AdBlue® supply module is attached on the side of the fuel tank for easy maintenance and filter replacement.



Hi MATE (Remote Management System)

Hi MATE, Hyundai's proprietary remote management system, provides operators and dealer service personnel access to vital service and diagnostic information on the machine from any computer with internet access. Users can pinpoint machine location using digital mapping and set machine work boundaries, reducing the need for multiple service calls. Hi MATE saves time and money for the owner and dealer by promoting preventative maintenance and reducing machine downtime.

* Operation of the system may be affected by the condition of telecommunication signal



*Photo may include optional equipment.

Viscous Suspension Mount

With a low-vibration design by the coil spring and damper inside the mount, the viscous suspension mount of the HX Series reduces noise inside the cabin and improves durability, providing a comfortable operation space that lessens operators' fatigue.

Swing Lock System (Option)

Swing Lock System is provided to maintain stability when swing movement needs to be limited, improving operating speed and productivity.

Fine Swing Control (Option)

Fine swing control is available for customer's convenience when users want to control fine swing.

SPECIFICATIONS

ENGINE			
Maker / Model	Perkins / 1204F		
Type	Water-cooled, 4-cycle diesel, 4-cylinder in-line, Direct injection, Turbocharged, Charge and air cooled		
Rated flywheel horse power	SAE	J1995 (gross)	102.1 kW (137 HP) at 2,050 rpm
	DIN	J1349 (net)	96 kW (128 HP) at 2,050 rpm
		6271/1 (gross)	102.1 kW (139 PS) at 2,050 rpm
		6271/1 (net)	96 kW (130 PS) at 2,050 rpm
Max. torque	57.1 kgf-m (413 lbf-ft) at 1,400 rpm		
Bore x stroke	105 x 127 mm (4.13" x 5.0")		
Piston displacement	4,400 cc (268.5 cu in)		
Batteries	2 x 12 V x 100 Ah		
Starting motor	24 V - 4.5 kW		
Alternator	24 V - 100 A		

HYDRAULIC SYSTEM

MAIN PUMP	
Type	Two variable displacement piston pumps
Max. flow	2 x 164 l/min (43.3 US gpm / 36.1 UK gpm)
Sub-pump for pilot circuit	Gear pump

Cross-sensing and fuel saving pump system

HYDRAULIC MOTORS

Travel	Two speed axial pistons motor with brake valve and parking brake
Swing	Axial piston motor with automatic brake

RELIEF VALVE SETTING

Implement circuits	350 kgf/cm ² (4,980 psi)
Travel	350 kgf/cm ² (4,980 psi)
Power boost (boom, arm, bucket)	380 kgf/cm ² (5,400 psi)
Swing circuit	285 kgf/cm ² (4,054 psi)
Pilot circuit	40 kgf/cm ² (570 psi)
Service valve	Installed

HYDRAULIC CYLINDERS

No. of cylinder bore x stroke	Boom: 2 - 115 x 1,090 mm (4.5" x 42.9")	
	Arm: 1 - 120 x 1,355 mm (4.7" x 53.3")	
	Bucket: 1 - 110 x 995 mm (4.3" x 39.2")	
	Dozer Blade: 2 - 110 x 320 mm (4.3" x 12.6")	
	2-piece	1st: 2 - 115 x 960 mm (4.5" x 37.8")
	Boom	2nd: 1 - 160 x 650 mm (6.3" x 25.6")

DRIVES & BRAKES

Drive method	Fully hydrostatic type
Drive motor	Axial piston motor, in-shoe design
Reduction system	Planetary reduction gear
Max. drawbar pull	17,000 kgf (37,500 lbf)
Max. travel speed (high / low)	5.3 km/hr (3.3 mph) / 3.2 km/hr (2.0 mph)
Gradeability	35° (70%)
Parking brake	Multi wet disc

CONTROL

Pilot pressure operated joysticks and pedals with detachable lever provide almost effortless and fatigueless operation.

Pilot control	Two joysticks with one safety lever (LH): Swing and arm (RH): Boom and bucket (ISO)
---------------	---

CONTROL

Traveling and steering	Two levers with pedals
Engine throttle	Electric, Dial type

SWING SYSTEM

Swing motor	Axial piston motor
Swing reduction	Planetary gear reduction
Swing bearing lubrication	Grease-bathed
Swing brake	Multi wet disc
Swing speed	10.3 rpm

SERVICE REFILL CAPACITIES

Re-filling	liter	US gal	UK gal
Fuel tank	290	76.6	63.8
Engine coolant	27.5	7.3	6.0
Engine oil	10.5	2.8	2.3
Swing device - gear oil	6.2	1.6	1.4
Final drive (each) - gear oil	3.0	0.8	0.7
Hydraulic system (including tank)	240	63.4	52.8
Hydraulic tank	125	33.0	27.5
DEF/AdBlue®	19	5.0	4.2

UNDERCARRIAGE

The X-leg type center frame is integrally welded with reinforced box-section track frames. The undercarriage includes lubricated rollers, idlers, track adjusters with shock absorbing springs and sprockets and a track chain with double or triple grouser shoes.

Center frame	X - leg type
Track frame	Pentagonal box type
No. of shoes on each side	49 EA
No. of carrier roller on each side	2 EA
No. of track roller on each side	7 EA
No. of rail guard on each side	1 EA

OPERATING WEIGHT (APPROXIMATE)






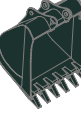

Operating weight, including 5,100 mm (16' 9") boom; 2,600 mm (8' 6") arm; SAE heaped 0.70 m³ (0.99 yd³) bucket, lubricant, coolant, full fuel tank, full hydraulic tank and all standard equipments.

OPERATING WEIGHT

Shoes	Width mm (in)	Operating weight kg (lb)	Ground pressure kgf / cm ² (psi)
Triple grouser	500 (20")	HX160L	17,855 (39,360) 0.52 (7.39)
		HX160LD	18,655 (41,130) 0.55 (7.82)
	600 (24")	HX160L	18,100 (39,904) 0.44 (6.26)
		HX160LD	18,900 (41,667) 0.46 (6.54)
	700 (30")	HX160L	18,345 (40,440) 0.38 (5.40)
		HX160LD	19,145 (42,210) 0.40 (5.69)

BUCKET SELECTION GUIDE & DIGGING FORCE

BUCKETS

							
SAE heaped m ³ (yd ³)	0.39 (0.51)	0.50 (0.65)	0.64 (0.84) 0.70 (0.92) 0.76 (0.99)	0.70 (0.92)	0.89 (1.16) 1.05 (1.37)	◆ 0.69 (0.90)	◎ 0.75 (0.98)

Capacity m ³ (yd ³)	Width mm (in)	Weight kg (lb)	Recommendation mm (ft.in)						
			5,100 (16' 9") Mono-Boom		5,100 (16' 9") 2-Piece boom				
SAE heaped	CECE heaped	Without side cutters	With side cutters	2,200 (7' 3") Arm	2,600 (8' 6") Arm	3,100 (10' 2") Arm	2,200 (7' 3") Arm	2,600 (8' 6") Arm	
0.39 (0.51)	0.34 (0.44)	620 (24.4)	740 (29.1)	410 (900)	●	●	●	●	●
0.50 (0.65)	0.44 (0.58)	760 (29.9)	880 (34.6)	470 (1,040)	●	●	●	●	●
0.64 (0.84)	0.55 (0.72)	920 (36.2)	1,040 (40.9)	510 (1,120)	●	●	■	●	■
0.70 (0.92)	0.60 (0.78)	990 (39.0)	1,110 (43.7)	600 (1,320)	●	■	▲	■	▲
0.76 (0.99)	0.65 (0.85)	1,060 (41.7)	1,180 (46.5)	620 (1,370)	■	▲	-	■	▲
0.89 (1.16)	0.77 (1.01)	1,220 (48.0)	1,340 (52.8)	610 (1,340)	■	▲	-	▲	-
1.05 (1.37)	0.90 (1.18)	1,400 (55.1)	1,520 (59.8)	680 (1,500)	▲	-	-	▲	-
◆ 0.69 (0.90)	0.62 (0.81)	990 (39.0)	-	720 (1,590)	●	■	▲	■	▲
◎ 0.75 (0.98)	0.65 (0.85)	1,820 (71.7)	-	540 (1,190)	●	■	▲	●	■

◆ Heavy duty bucket

◎ Ditch cleaning bucket

● : Applicable for materials with density of 2,000 kg/m³ (3,370 lb/yd³) or less

■ : Applicable for materials with density of 1,600 kg/m³ (2,700 lb/yd³) or less

▲ : Applicable for materials with density of 1,100 kg/m³ (1,850 lb/yd³) or less

ATTACHMENT

Booms and arms are welded with a low-stress, full-box section design.

5.1 m (16' 9") Mono-boom and 5.1 m (16' 9") 2-Piece boom and 2.20 m (7' 3"); 2.60 m (8' 6") & 3.1 m (10' 2") Arms are available.

DIGGING FORCE

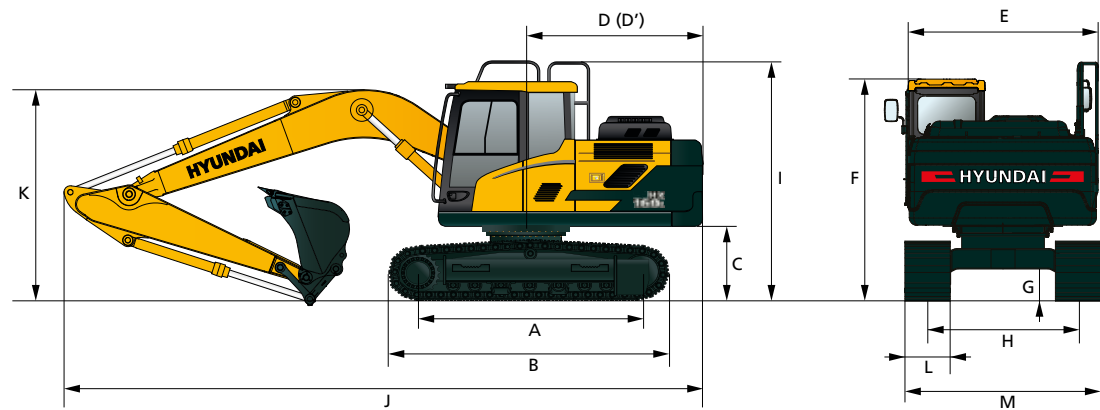
Arm	Length	mm (ft.in)	2,200 (7' 3")	2,600 (8' 6")	3,100 (10' 2")	Remarks:
			Weight	kg (lb)	kg (lb)	
Bucket digging force	SAE	kN	107.9 [117.2]	107.9 [117.2]	107.9 [117.2]	[] : Power Boost
		kgf	11,000 [11,940]	11,000 [11,940]	11,000 [11,940]	
		lbf	24,250 [26,330]	24,250 [26,330]	24,250 [26,330]	
	ISO	kN	123.6 [134.2]	123.6 [134.2]	123.6 [134.2]	
		kgf	12,600 [13,680]	12,600 [13,680]	12,600 [13,680]	
		lbf	27,780 [30,160]	27,780 [30,160]	27,780 [30,160]	
Arm crowd force	SAE	kN	87.2 [94.7]	77.3 [83.9]	69.0 [74.9]	
		kgf	8,890 [9,650]	7,880 [8,560]	7,030 [7,630]	
		lbf	19,600 [21,280]	17,370 [18,860]	15,500 [16,830]	
	ISO	kN	91.0 [98.8]	80.3 [87.2]	71.4 [77.5]	
		kgf	9,280 [10,080]	8,190 [8,890]	7,280 [7,900]	
		lbf	20,460 [22,210]	18,060 [19,600]	16,050 [17,430]	

Note : Arm weight includes bucket cylinder, linkage and pin

DIMENSIONS & WORKING RANGE

HX160 L MONO-BOOM DIMENSIONS

5.1 m (16' 9") Mono-boom and 2.2 m (7' 3"); 2.6 m (8' 6") & 3.1 m (10' 2") Arm.



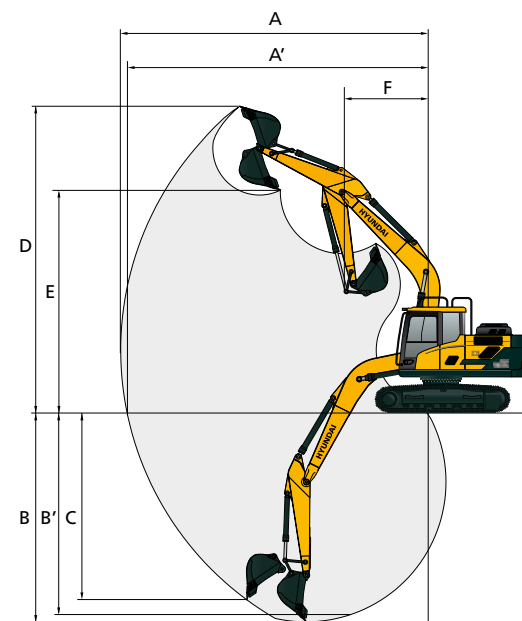
Unit : mm (ft-in)

A	Tumbler distance	3,170 (10' 5")
B	Overall length of crawler	3,926 (12' 11")
C	Ground clearance of counterweight	1,055 (3' 6")
D	Tail swing radius	2,480 (8' 2")
D'	Rear-end length	2,480 (8' 2")
E	Overall width of upperstructure	2,475 (8' 1")
F	Overall height of cab	2,980 (9' 9")
G	Min. ground clearance	460 (1' 6")
H	Track gauge	1,990 (6' 6")
I	Overall height of guardrail	3,220 (10' 6")

Boom length	5,100 (16' 9")			
Arm length	2,200 (7' 3")	2,600 (8' 6")	3,100 (10' 2")	
J	Overall length	8,660 (28' 5")	8,650 (28' 5")	8,650 (28' 5")
K	Overall height of boom	3,010 (9' 11")	2,990 (9' 10")	3,150 (10' 4")
L	Track shoe width	500 (20")	600 (24")	700 (28")
M	Overall width	2,490 (8' 2")	2,590 (8' 6")	2,690 (8' 10")

HX160 L MONO-BOOM WORKING RANGE

Unit : mm (ft-in)

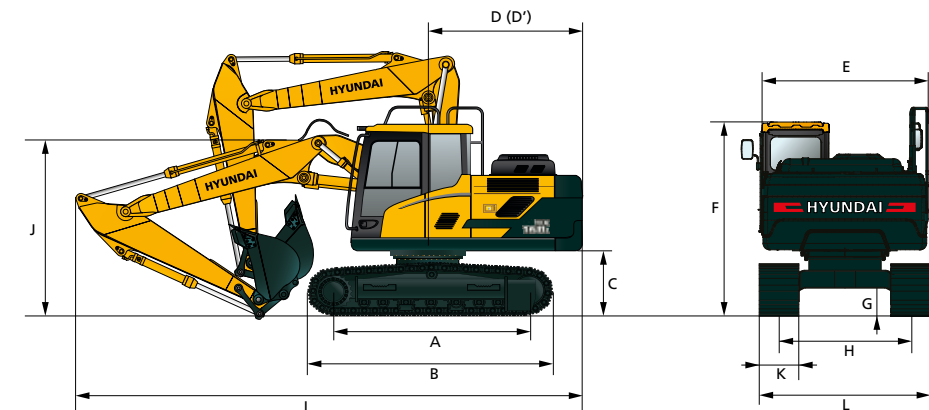


Boom length	5,100 (16' 9")			
Arm length	2,200 (7' 3")	2,600 (8' 6")	3,100 (10' 2")	
A	Max. digging reach	8,690 (28' 6")	9,020 (29' 7")	9,450 (31' 0")
A'	Max. digging reach on ground	8,530 (27' 12")	8,860 (29' 1")	9,300 (30' 6")
B	Max. digging depth	5,660 (18' 7")	6,060 (19' 11")	6,560 (21' 6")
B'	Max. digging depth (8' level)	5,430 (17' 10")	5,850 (19' 2")	6,370 (20' 11")
C	Max. vertical wall digging depth	5,120 (16' 10")	5,380 (17' 8")	5,710 (18' 9")
D	Max. digging height	8,750 (28' 8")	8,840 (29' 0")	8,980 (29' 6")
E	Max. dumping height	6,110 (20' 1")	6,220 (20' 5")	6,390 (21' 0")
F	Min. front swing radius	3,180 (10' 5")	3,170 (10' 5")	3,170 (10' 5")

DIMENSIONS & WORKING RANGE

HX160 L 2-PIECE BOOM DIMENSIONS

5.1 m (16' 9") 2-piece boom and 2.2 m (7' 3"); 2.6 m (8' 6") & 3.1 m (10' 2") Arm.



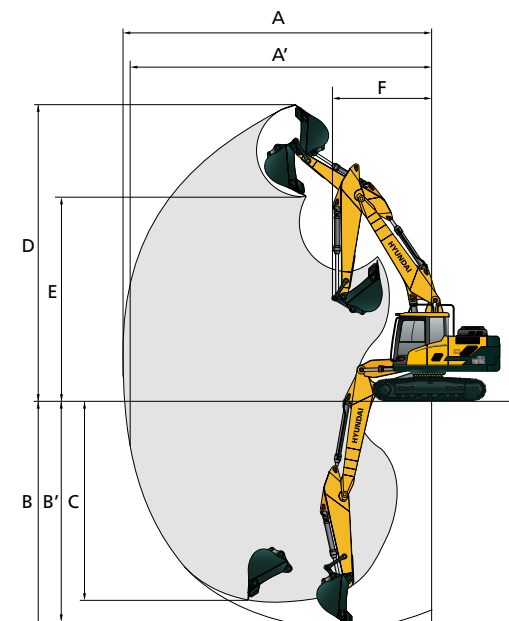
Unit : mm (ft-in)

A	Tumbler distance	3,170 (10' 5")
B	Overall length of crawler	3,926 (12' 11")
C	Ground clearance of counterweight	1,055 (3' 6")
D	Tail swing radius	2,480 (8' 2")
D'	Rear-end length	2,480 (8' 2")
E	Overall width of upperstructure	2,475 (8' 1")
F	Overall height of cab	2,980 (9' 9")
G	Min. ground clearance	460 (1' 6")
H	Track gauge	1,990 (6' 6")

Boom length	5,100 (16' 9")			
Arm length	2,200 (7' 3")	2,600 (8' 6")	3,100 (10' 2")	
I	Overall length	8,610 (28' 3")	8,610 (28' 3")	
J	Overall height of boom	3,040 (9' 12")	3,060 (10' 0")	
K	Track shoe width	500 (20")	600 (24")	700 (28")
L	Overall width	2,490 (8' 2")	2,590 (8' 6")	2,690 (8' 10")

HX160 L 2-PIECE BOOM WORKING RANGE

Unit : mm (ft-in)

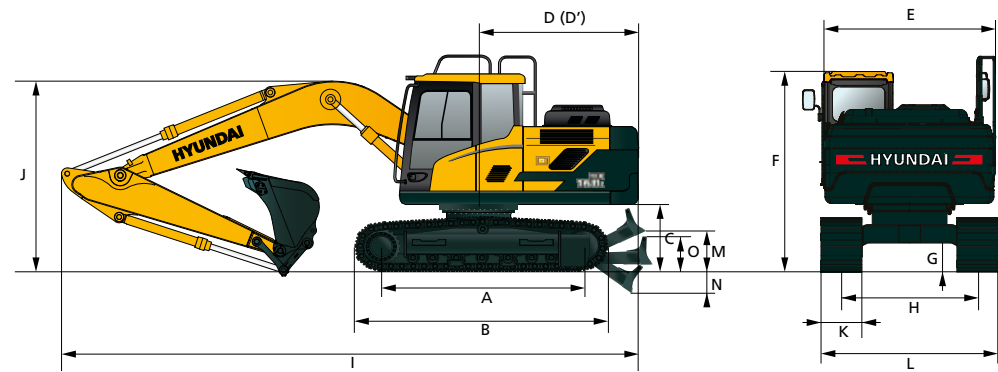


Boom length	5,100 (16' 9") 2-piece boom		
Arm length	2,200 (7' 3")	2,600 (8' 6")	3,100 (10' 2")
A	Max. digging reach	8,760 (28' 9")	9,110 (29' 11")
A'	Max. digging reach on ground	8,590 (28' 2")	8,950 (29' 4")
B	Max. digging depth	5,430 (17' 6")	5,830 (19' 2")
B'	Max. digging depth (8' level)	5,330 (17' 6")	5,730 (18' 10")
C	Max. vertical wall digging depth	4,630 (15' 2")	4,980 (16' 4")
D	Max. digging height	9,420 (30' 11")	9,610 (31' 6")
E	Max. dumping height	6,710 (22' 0")	6,910 (22' 8")
F	Min. front swing radius	3,100 (10' 2")	2,970 (9' 9")

DIMENSIONS & WORKING RANGE

HX160 LD MONO-BOOM DIMENSIONS

5.1 m (16' 9") Mono-boom and 2.2 m (7' 3"); 2.6 m (8' 6") & 3.1 m (10' 2") Arm.



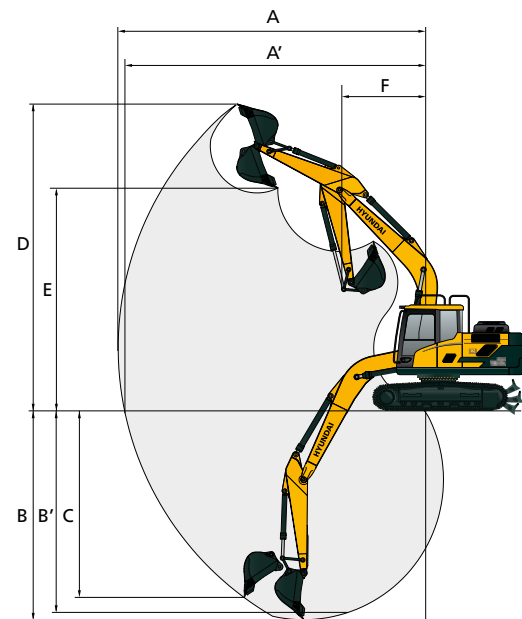
Unit: mm (ft-in)

A	Tumbler distance	3,170 (10' 5")
B	Overall length of crawler	3,926 (12' 11")
C	Ground clearance of counterweight	1,055 (3' 6")
D	Tail swing radius	2,480 (8' 2")
D'	Rear-end length	2,480 (8' 2")
E	Overall width of upperstructure	2,475 (8' 1")
F	Overall height of cab	2,980 (9' 9")
G	Min. ground clearance	460 (1' 6")
H	Track gauge	1,990 (6' 6")
M	Ground clearance of Dozer blade up	615 (2' 0")
N	Depth of dozer blade down	675 (2' 3")
O	Height of dozer blade	645 (2' 1")

Boom length	5,100 (16' 9")			
Arm length	2,200 (7' 3")	2,600 (8' 6")	3,100 (10' 2")	
I	Overall length	9,110 (29' 11")	9,100 (29' 10")	9,100 (29' 10")
J	Overall height of boom	3,010 (9' 11")	2,990 (9' 10")	3,150 (10' 4")
K	Track shoe width	500 (20")	600 (24")	700 (28")
L	Overall width	2,490 (8' 2")	2,590 (8' 6")	2,690 (8' 10")

HX160 LD MONO-BOOM WORKING RANGE

Unit: mm (ft-in)

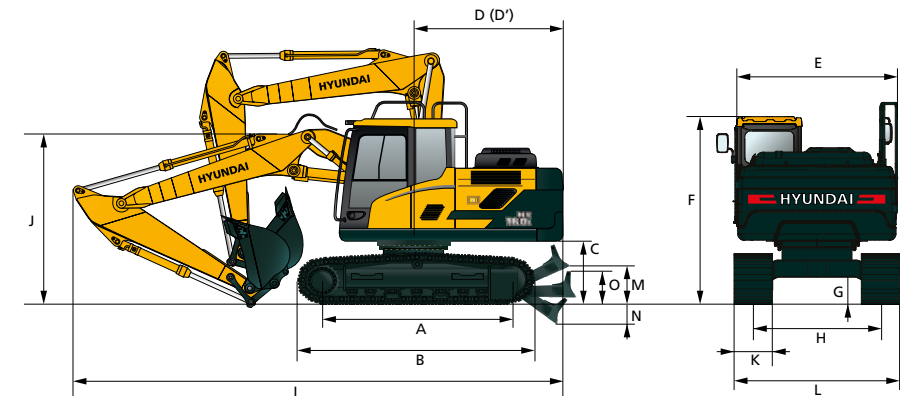


Boom length	5,100 (16' 9")			
Arm length	2,200 (7' 3")	2,600 (8' 6")	3,100 (10' 2")	
A	Max. digging reach	8,690 (28' 6")	9,020 (29' 7")	9,450 (31' 0")
A'	Max. digging reach on ground	8,530 (27' 12")	8,860 (29' 1")	9,300 (30' 6")
B	Max. digging depth	5,660 (18' 7")	6,060 (19' 11")	6,560 (21' 6")
B'	Max. digging depth (8' level)	5,430 (17' 10")	5,850 (19' 2")	6,370 (20' 11")
C	Max. vertical wall digging depth	5,120 (16' 10")	5,380 (17' 8")	5,710 (18' 9")
D	Max. digging height	8,750 (28' 8")	8,840 (29' 0")	8,980 (29' 6")
E	Max. dumping height	6,110 (20' 1")	6,220 (20' 5")	6,390 (21' 0")
F	Min. front swing radius	3,180 (10' 5")	3,170 (10' 5")	3,170 (10' 5")

DIMENSIONS & WORKING RANGE

HX160 LD 2-PIECE BOOM DIMENSIONS

5.1 m (16' 9") 2-piece boom and 2.2 m (7' 3"); 2.6 m (8' 6") & 3.1 m (10' 2") Arm.



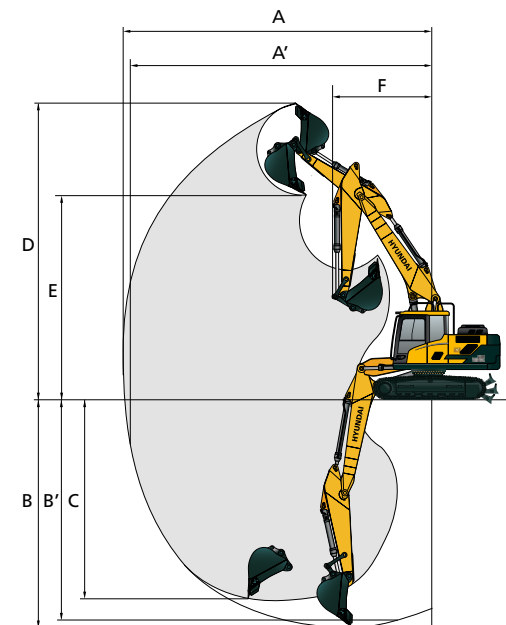
Unit: mm (ft-in)

A	Tumbler distance	3,170 (10' 5")
B	Overall length of crawler	3,926 (12' 11")
C	Ground clearance of counterweight	1,055 (3' 6")
D	Tail swing radius	2,530 (8' 4")
D'	Rear-end length	2,480 (8' 2")
E	Overall width of upperstructure	2,475 (8' 1")
F	Overall height of cab	2,980 (9' 9")
G	Min. ground clearance	460 (1' 6")
H	Track gauge	1,990 (6' 6")
M	Ground clearance of Dozer blade up	615 (2' 0")
N	Depth of dozer blade down	675 (2' 3")
O	Height of dozer blade	645 (2' 1")

Boom length	5,100 (16' 9")			
Arm length	2,200 (7' 3")	2,600 (8' 6")	3,100 (10' 2")	
I	Overall length	9,080 (29' 9")	9,080 (29' 9")	
J	Overall height of boom	3,040 (9' 12")	3,060 (10' 0")	
K	Track shoe width	500 (20")	600 (24")	700 (28")
L	Overall width	2,490 (8' 2")	2,590 (8' 6")	2,690 (8' 10")

HX160 LD 2-PIECE BOOM WORKING RANGE

Unit: mm (ft-in)



Boom length	5,100 (16' 9") 2-piece boom		
Arm length	2,200 (7' 3")	2,600 (8' 6")	3,100 (10' 2")
A	Max. digging reach	8,760 (28' 9")	9,110 (29' 11")
A'	Max. digging reach on ground	8,590 (28' 2")	8,950 (29' 4")
B	Max. digging depth	5,430 (17' 6")	5,830 (19' 2")
B'	Max. digging depth (8' level)	5,330 (17' 6")	5,730 (18' 10")
C	Max. vertical wall digging depth	4,630 (15' 2")	4,980 (16' 4")
D	Max. digging height	9,420 (30' 11")	9,610 (31' 6")
E	Max. dumping height	6,710 (22' 0")	6,910 (22' 8")
F	Min. front swing radius	3,100 (10' 2")	2,970 (9' 9")

LIFTING CAPACITY

Rating over-front Rating over-side or 360 degrees

HX160 L MONO-BOOM

Boom: 5.1 m (16' 9") / Arm: 2.2 m (7' 3") / Bucket: 0.70 m³ SAE heaped / Shoe: 600 mm (24") triple grouser.

Load point height m (ft)	Load radius								At max. reach		
	1.5 m (5 ft)		3.0 m (10 ft)		4.5 m (15 ft)		6.0 m (20 ft)		Capacity	Reach	
7.5 m (25 ft)	kg								*3720	3710	5.60
	lb								*8200	8180	(18.4)
6.0 m (20 ft)	kg								*3630	2490	6.98
	lb								*8000	5490	(22.9)
4.5 m (15 ft)	kg				*4550	*4550	*4080	3160	3280	2000	7.76
	lb				*10030	*10030	*8990	6970	7230	4410	(25.5)
3.0 m (10 ft)	kg			*9070	9020	*5760	4790	*4570	2960	1780	8.15
	lb			*20000	19890	*12700	10560	*10080	6530	3920	(26.7)
1.5 m (5 ft)	kg				*7000	4430	4750	2870	2880	1710	8.20
	lb				*15430	9770	10470	6330	6350	3770	(26.9)
Ground Line	kg			*7150	*7150	7290	4220	4620	3010	1790	7.94
	lb			*15760	*15760	16070	9300	10190	6640	3950	(26.0)
-1.5 m (-5 ft)	kg	*7060	*7060	*11180	7930	7220	4150	4570	3430	2050	7.31
	lb	*15560	*15560	*24650	17480	15920	9150	10080	7560	4520	(24.0)
-3.0 m (-10 ft)	kg	*11250	*11250	*9590	8080	*6640	4210		*3720	2730	6.19
	lb	*24800	*24800	*21140	17810	*14640	9280		*8200	6020	(20.3)
-4.5 m (-15 ft)	kg			*6230	*6230						
	lb			*13730	*13730						

Boom: 5.1 m (16' 9") / Arm: 2.6 m (8' 6") / Bucket: 0.70 m³ SAE heaped / Shoe: 600 mm (24") triple grouser.

Load point height m (ft)	Load radius								At max. reach					
	1.5 m (5 ft)		3.0 m (10 ft)		4.5 m (15 ft)		6.0 m (20 ft)		7.5 m (25 ft)		Capacity	Reach		
7.5 m (25 ft)	kg										*3360	3220	6.11	
	lb										*7410	7100	(20.0)	
6.0 m (20 ft)	kg							*3000	*3000		*3330	2260	7.37	
	lb							*6610	*6610		*7340	4980	(24.2)	
4.5 m (15 ft)	kg							*3740	3190		3030	1830	8.11	
	lb							*8250	7030		6680	4030	(26.6)	
3.0 m (10 ft)	kg			*7880	*7880	*5280	4840	*4270	3030	*2790	2040	2760	1630	8.48
	lb			*17370	*17370	*11640	10670	*9410	6680	*6150	4500	6080	3590	(27.8)
1.5 m (5 ft)	kg			*8140	*8140	*6620	4450	4740	2860	3290	1960	2680	1570	8.53
	lb			*17950	*17950	*14590	9810	10450	6310	7250	4320	5910	3460	(28.0)
Ground Line	kg			*7930	7850	7270	4190	4590	2720	3230	1900	2780	1620	8.28
	lb			*17480	17310	16030	9240	10120	6000	7120	4190	6130	3570	(27.2)
-1.5 m (-5 ft)	kg	*6740	*6740	*10710	7810	7150	4090	4510	2650		3120	1840	7.69	
	lb	*14860	*14860	*23610	17220	15760	9020	9940	5840		6880	4060	(25.2)	
-3.0 m (-10 ft)	kg	*10010	*10010	*10240	7930	*6930	4120	4540	2670		*3720	2380	6.64	
	lb	*22070	*22070	*22580	17480	*15280	9080	10010	5890		*8200	5250	(21.8)	
-4.5 m (-15 ft)	kg			*7440	*7440	*4920	4300							
	lb			*16400	*16400	*10850	9480							

Boom: 5.1 m (16' 9") / Arm: 3.10 m (11' 1") / Bucket: 0.70 m³ SAE heaped / Shoe: 600 mm (24") triple grouser.

Load point height m (ft)	Load radius								At max. reach					
	1.5 m (5 ft)		3.0 m (10 ft)		4.5 m (15 ft)		6.0 m (20 ft)		7.5 m (25 ft)		Capacity	Reach		
7.5 m (25 ft)	kg										*2970	2730	6.73	
	lb										*6550	6020	(22.1)	
6.0 m (20 ft)	kg							*2840	*2840		*3000	1990	7.88	
	lb							*6260	*6260		*6610	4390	(25.9)	
4.5 m (15 ft)	kg							*3320	3220	*2110	2100	2750	1640	8.57
	lb							*7320	7100	*4650	4630	6060	3620	(28.1)
3.0 m (10 ft)	kg					*4680	*4680	*3900	3050	*3070	2030	2510	1460	8.91
	lb					*10320	*10320	*8600	6720	*6770	4480	5530	3220	(29.2)
1.5 m (5 ft)	kg			*10180	8460	*6130	4510	*4590	2860	3280	1940	2440	1400	8.96
	lb			*22440	18650	*13510	9940	*10120	6310	7230	4280	5380	3090	(29.4)
Ground Line	kg			*8700	7860	*7180	4190	4570	2690	3190	1860	2520	1440	8.73
	lb			*19180	17330	*15830	9240	10080	5930	7030	4100	5560	3170	(28.6)
-1.5 m (-5 ft)	kg	*6330	*6330	*10350	7720	7100	4040	4460	2600	3150	1820	2790	1610	8.17
	lb	*13960	*13960	*22820	17020	15650	8910	9830	5730	6940	4010	6150	3550	(26.8)
-3.0 m (-10 ft)	kg	*8980	*8980	*10860	7780	7080	4020	4450	2590			3430	2020	7.21
	lb	*19800	*19800	*23940	17150	15610	8860	9810	5710			7560	4450	(23.7)
-4.5 m (-15 ft)	kg	*12460	*12460	*8600	8000	*5760	4140					*3340	3150	5.59
	lb	*27470	*27470	*18960	17640	*12700	9130					*7360	6940	(18.3)

LIFTING CAPACITY

Rating over-front Rating over-side or 360 degrees

HX160 L 2-PIECE BOOM

2-piece boom: 5.1 m (16' 9") / Arm: 2.2 m (7' 3") / Bucket: 0.70 m³ SAE heaped / Shoe: 600 mm (24") triple grouser.

Load point height m (ft)	Load radius								At max. reach								
	1.5 m (5 ft)		3.0 m (10 ft)		4.5 m (15 ft)		6.0 m (20 ft)		7.5 m (25 ft)		Capacity	Reach					
6.0 m (20 ft)	kg										*3700	2410	7.06				
	lb										*8160	5310	(23.2)				
4.5 m (15 ft)	kg										*4130	3160	7.83				
	lb										*9110	6970	(25.7)				
3.0 m (10 ft)	kg							*5820	4780		*4580	3010	2920	1720	8.21		
	lb							*12830	10540		*10100	6640	6440	3790	(26.9)		
1.5 m (5 ft)	kg							*6960	4400		4770	2840	3320	1950	8.27		
	lb							*15340	9700		10520	6260	7320	4300	(27.1)		
Ground Line	kg					*6240	*6240	7310	4170		4630	2720			2980	1740	8.01
	lb					*13760	*13760	16120	9190		10210	6000			6570	3840	(26.3)
-1.5 m (-5 ft)	kg	*6240	*6240	*10380	7870	7240	4110	4580	2680						3400	2010	7.39
	lb	*13760	*13760	*22880	17350	15960	9060	10100	5910						7500	4430	(24.2)
-3.0 m (-10 ft)	kg			*9100	8060	*6360	4190								*3250	2680	6.28
	lb			*20060	17770	*14020	9240								*7170	5910	(20.6)

2-piece boom: 5.1 m (16' 9") / Arm: 2.6 m (8' 6") / Bucket: 0.70 m³ SAE heaped / Shoe: 600 mm (24") triple grouser.

Load point height m (ft)	Load radius								At max. reach										
	1.5 m (5 ft)		3.0 m (10 ft)		4.5 m (15 ft)		6.0 m (20 ft)		7.5 m (25 ft)		Capacity	Reach							
6.0 m (20 ft)	kg										*3400	2170	7.48						
	lb										*7500	4780	(24.5)						
4.5 m (15 ft)	kg										2980	1770	8.20						
	lb										6570	3900	(26.9)						
3.0 m (10 ft)	kg										*4330	3020	*3200	2010	2710	1580	8.57		
	lb										*9480	6660	*7050	4430	5970	3480	(28.1)		
1.5 m (5 ft)	kg							*7030	*7030		*6610	4420	4760	2830	3300	1940	2640	1520	8.62
	lb							*15500	*15500		*14570	9740	10490	6240	7280	4280	5820	3350	(28.3)
Ground Line	kg					*7090	*7090	7280	4150		4600	2680	3230	1870	2740	1570</			

LIFTING CAPACITY

Rating over-front Rating over-side or 360 degrees

HX160 LD MONO-BOOM

Boom: 5.1 m (16' 9") / Arm: 2.2 m (7' 3") / Bucket: 0.70 m³ SAE heaped / Shoe: 600 mm (24") triple grouser.

Load point height m (ft)	Load radius										At max. reach	
	1.5 m (5 ft)		3.0 m (10 ft)		4.5 m (15 ft)		6.0 m (20 ft)		Capacity		Reach	
											m (ft)	
7.5 m (25 ft)	kg								*3720	*3720	5.60	
	lb								*8200	*8200	(18.4)	
6.0 m (20 ft)	kg								*3630	2600	6.98	
	lb								*8000	5730	(22.9)	
4.5 m (15 ft)	kg			*4550	*4550	*4080	3290		3580	2100	7.76	
	lb			*10030	*10030	*8990	7250		7890	4630	(25.5)	
3.0 m (10 ft)	kg		*9070	*9070	*5760	4980	*4570	3160	3250	1870	8.15	
	lb		*20000	*20000	*12700	10980	*10080	6970	7170	4120	(26.7)	
1.5 m (5 ft)	kg			*7000	4620	*5130	3000		3170	1800	8.20	
	lb			*15430	10190	*11310	6610		6990	3970	(26.9)	
Ground Line	kg		*7150	*7150	*7650	4410	5050	2880	3310	1880	7.94	
	lb		*15760	*15760	*16870	9720	11130	6350	7300	4140	(26.0)	
-1.5 m (-5 ft)	kg	*7060	*7060	*11180	8260	*7560	4340		3760	2150	7.31	
	lb	*15560	*15560	*24650	18210	*16670	9570		8290	4740	(24.0)	
-3.0 m (-10 ft)	kg	*11250	*11250	*9590	8420	*6640	4400		*3720	2860	6.19	
	lb	*24800	*24800	*21140	18560	*14640	9700		*8200	6310	(20.3)	
-4.5 m (-15 ft)	kg			*6230	*6230							
	lb			*13730	*13730							

Boom: 5.1 m (16' 9") / Arm: 2.6 m (8' 6") / Bucket: 0.70 m³ SAE heaped / Shoe: 600 mm (24") triple grouser.

Load point height m (ft)	Load radius										At max. reach		
	1.5 m (5 ft)		3.0 m (10 ft)		4.5 m (15 ft)		6.0 m (20 ft)		7.5 m (25 ft)		Capacity		Reach
													m (ft)
7.5 m (25 ft)	kg										*3360	3350	6.11
	lb										*7410	7390	(20.0)
6.0 m (20 ft)	kg						*3000	*3000			*3330	2360	7.37
	lb						*6610	*6610			*7340	5200	(24.2)
4.5 m (15 ft)	kg						*3740	3320			3330	1930	8.11
	lb						*8250	7320			7340	4250	(26.6)
3.0 m (10 ft)	kg		*7880	*7880	*5280	5030	*4270	3160	*2790	2140	3030	1720	8.48
	lb		*17370	*17370	*11640	11090	*9410	6970	*6150	4720	6680	3790	(27.8)
1.5 m (5 ft)	kg		*8140	*8140	*6620	4640	*4890	2990	3620	2060	2950	1660	8.53
	lb		*17950	*17950	*14590	10230	*10780	6590	7980	4540	6500	3660	(28.0)
Ground Line	kg		*7930	*7930	*7460	4380	5020	2850	*3450	2000	3060	1710	8.28
	lb		*17480	*17480	*16450	9660	11070	6280	*7610	4410	6750	3770	(27.2)
-1.5 m (-5 ft)	kg	*6740	*6740	*10710	8150	*7590	4280	2780			3440	1940	7.69
	lb	*14860	*14860	*23610	17970	*16730	9440	10890	6130		7580	4280	(25.2)
-3.0 m (-10 ft)	kg	*10010	*10010	*10240	8260	*6930	4310	*4840	2800		*3720	2490	6.64
	lb	*22070	*22070	*22580	18210	*15280	9500	*10670	6170		*8200	5490	(21.8)
-4.5 m (-15 ft)	kg			*7440	*7440	*4920	4490						
	lb			*16400	*16400	*10850	9900						

Boom: 5.1 m (16' 9") / Arm: 3.10 m (11' 1") / Bucket: 0.70 m³ SAE heaped / Shoe: 600 mm (24") triple grouser.

Load point height m (ft)	Load radius										At max. reach			
	1.5 m (5 ft)		3.0 m (10 ft)		4.5 m (15 ft)		6.0 m (20 ft)		7.5 m (25 ft)		Capacity		Reach	
													m (ft)	
7.5 m (25 ft)	kg										*2970	2840	6.73	
	lb										*6550	6260	(22.1)	
6.0 m (20 ft)	kg						*2840	*2840			*3000	2080	7.88	
	lb						*6260	*6260			*6610	4590	(25.9)	
4.5 m (15 ft)	kg						*3320	*3320	*2110	*2110	3020	1720	8.57	
	lb						*7320	*7320	*4650	*4650	6660	3790	(28.1)	
3.0 m (10 ft)	kg					*4680	*4680	*3900	3180	*3070	2140	2770	1550	8.91
	lb					*10320	*10320	*8600	7010	*6770	4720	6110	3420	(29.2)
1.5 m (5 ft)	kg		*10180	8790	*6130	4690	*4590	2990	3600	2040	2700	1480	8.96	
	lb		*22440	19380	*13510	10340	*10120	6590	7940	4500	5950	3260	(29.4)	
Ground Line	kg		*8700	8200	*7180	4380	5000	2820	3510	1960	2780	1530	8.73	
	lb		*19180	18080	*15830	9660	11020	6220	7740	4320	6130	3370	(28.6)	
-1.5 m (-5 ft)	kg	*6330	*6330	*10350	8050	*7550	4230	4890	2730	*3210	1920	3080	1700	8.17
	lb	*13960	*13960	*22820	17750	*16640	9330	10780	6020	*7080	4230	6790	3750	(26.8)
-3.0 m (-10 ft)	kg	*8980	*8980	*10860	8110	*7170	4210	4880	2720		*3600	2130	7.21	
	lb	*19800	*19800	*23940	17880	*15810	9280	10760	6000		*7940	4700	(23.7)	
-4.5 m (-15 ft)	kg	*12460	*12460	*8600	8340	*5760	4330				*3340	3300	5.59	
	lb	*27470	*27470	*18960	18390	*12700	9550				*7360	7280	(18.3)	

LIFTING CAPACITY

Rating over-front Rating over-side or 360 degrees

HX160 LD 2-PIECE BOOM

2-piece boom: 5.1 m (16' 9") / Arm: 2.2 m (7' 3") / Bucket: 0.70 m³ SAE heaped / Shoe: 600 mm (24") triple grouser.

Load point height m (ft)	Load radius										At max. reach		
	1.5 m (5 ft)		3.0 m (10 ft)		4.5 m (15 ft)		6.0 m (20 ft)		7.5 m (25 ft)		Capacity		Reach
													m (ft)
6.0 m (20 ft)	kg										*3700	2520	7.06
	lb										*8160	5560	(23.2)
4.5 m (15 ft)	kg								*4130	3290	3530	2030	7.83
	lb								*9110	7250	7780	4480	(25.7)
3.0 m (10 ft)	kg					*5820	4970		*4580	3140	3210	1810	8.21
	lb					*12830	10960		*10100	6920	7080	3990	(26.9)
1.5 m (5 ft)	kg					*6960	4590		*5090	2970	*3410	2050	8.27
	lb					*15340	10120		*11220	6550	*7520	4520	(27.1)
Ground Line	kg			*6240	*6240	*7540	4360	5060	2850		3280	1840	8.01
	lb			*13760	*13760	*16620	9610	11160	6280		7230	4060	(26.3)
-1.5 m (-5 ft)	kg	*6240	*6240	*10380	8200	*7380	4300	5010	2810		*3660	2110	7.39
	lb	*13760	*13760	*22880	18080	*16270	9480	11050	6190		*8070	4650	(24.2)
-3.0 m (-10 ft)	kg			*9100	8390	*6360	4380				*3250	2800	6.28
	lb			*20060	18500	*14020	9660				*7170	6170	(20.6)

2-piece boom: 5.1 m (16' 9") / Arm: 2.6 m (8' 6") / Bucket: 0.70 m³ SAE heaped / Shoe: 600 mm (24") triple grouser.

Load point height m (ft)	Load radius										At max. reach				
	1.5 m (5 ft)		3.0 m (10 ft)		4.5 m (15 ft)		6.0 m (20 ft)		7.5 m (25 ft)		Capacity		Reach		
													m (ft)		
6.0 m (20 ft)	kg										*3400	2280	7.48		
	lb										*7500	5030	(24.5)		
4.5 m (15 ft)	kg										3270	1860	8.20		
	lb										7210	4100	(26.9)		
3.0 m (10 ft)	kg							*4330	3150	*3200	2120	2980	1660	8.57	
	lb							*9480	6940	*7050	4670	6570	3660	(28.1)	
1.5 m (5 ft)	kg			*7030	*7030	*6610	4620		*4870	2960	3620	2040	1600	8.62	
	lb			*15500	*15500	*14570	10190		*10740	6530	7980	4500	6420	3530	(28.3)
Ground Line	kg			*7090	*7090	*7370	4340	5030	2820	3550	1970	3020	1670	8.37	
	lb			*15630	*15630	*16250	9570	11090	6220	7830	4340	6660	3680	(27.5)	
-1.5 m (-5 ft)	kg	*6070	*6070	*10000	8080	*7430	4240		4950	2750					

ENGINE	STD	OPT
Perkins 1204F Engine	●	
HYDRAULIC SYSTEM		
Intelligent Power Control (IPC)		
3-power mode, 2-work mode, user mode	●	
Variable Power Control	●	
Pump Flow Control	●	
Attachment Mode Flow Control		●
Engine Auto Idle	●	
Engine Auto Shutdown Control	●	
Electronic Fan Control	●	
CABIN & INTERIOR		
ISO Standard cabin		
Rise-up type windshield wiper	●	
Radio / USB player	●	
Handsfree mobile phone system with USB	●	
12 volt power outlet (24V DC to 12V DC converter)	●	
Electric horn	●	
All-weather steel cab with 360° visibility	●	
Safety glass windows	●	
Sliding fold-in front window	●	
Sliding side window (LH)	●	
Lockable door	●	
Hot & cool box	●	
Storage compartment & Ashtray	●	
Transparent cabin roof-cover	●	
Sun visor	●	
Door and cab locks, one key	●	
Mechanical suspension seat with heater	●	
Pilot-operated slidable joystick	●	
Console box height adjust system	●	
Automatic climate control		
Air conditioner & heater	●	
Defroster	●	
Starting Aid (air grid heater) for cold weather	●	
Centralized monitoring		
8" LCD display	●	
Engine speed or Trip meter/Accel.	●	
Engine coolant temperature gauge	●	
Max power	●	
Low speed/High speed	●	
Auto idle	●	
Overload	●	
Check Engine	●	
Air cleaner clogging	●	
Indicators	●	
ECO Gauges	●	
Fuel level gauge	●	
Hyd. oil temperature gauge	●	
Warnings	●	
Communication error	●	
Low battery	●	
Clock	●	
Cabin lights		●
Cabin front window rain guard	●	
Cabin roof-steel cover		●
Seat		
Adjustable air suspension seat with heater		●
Cabin FOPS/FOG (ISO/DIS 10262) Level 2		
FOPS (Falling Object Protective Structure) · ISO 3449 Level 2		●
FOG (Falling Object Guard)		●
Cabin ROPS (ISO 12117-2)		
ROPS (Roll Over Protective Structure)	●	

SAFETY	STD	OPT
Battery master switch	●	
Rearview camera	●	
AAVM (Advanced Around View Monitoring)		●
Four front working lights	●	
Travel alarm	●	
Rear work lamp		●
Beacon lamp		●
Automatic swing brake	●	
Boom holding system	●	
Arm holding system	●	
Safety lock valve for boom cylinder with overload warning device	●	
Safety lock valve for arm cylinder		●
Swing Lock System		●
Three outside rearview mirrors	●	
OTHER		
Booms		
5.1 m; 16' 9"	●	
5.1 m; 16' 9" 2-piece boom		●
Arms		
2.2 m; 7' 3"		●
2.6 m; 8' 6"	●	
3.1 m; 10' 2"		●
Removable clean-out dust net for cooler	●	
Removable reservoir tank	●	
Fuel pre-filter	●	
Self-diagnostics system	●	
Hi MATE (Remote Management System)	●	
Batteries (2 × 12 V × 100 Ah)	●	
Fuel filler pump (50 ℓ/min)		●
Single-acting piping kit (breaker, etc.)		●
Double-acting piping kit (clamshell, etc.)	●	
Rotating Piping Kit		●
Quick coupler piping		●
Quick coupler		●
Boom floating control		●
Accumulator for lowering work equipment	●	
Pattern change valve (2 patterns)		●
Fine Swing Control System		●
Tool kit		●
UNDERCARRIAGE		
Lower frame under cover (Additional)		●
Lower frame under cover (Normal)	●	
Track shoes		
Triple grouser shoes (500 mm; 20")		●
Triple grouser shoes (600 mm; 24")	●	
Triple grouser shoes (700 mm; 28")		●
Track rail guard	●	
Full track rail guard		●

STD = Standard
OPT = Optional

- * Standard and optional equipment may vary. Contact your Hyundai dealer for more information. The machine may vary according to International standards.
- * The photos may include attachments and optional equipment that are not available in your area.
- * Materials and specifications are subject to change without advance notice.
- * All imperial measurements rounded off to the nearest pound or inch.
- * The air conditioning system on this machine contains the fluorinated greenhouse gas refrigerant HFC-134a (Global Warming Potential = 1430). The system contains 0.65 kg of refrigerant which has a CO₂ equivalent of 0.9295 metric tonne.



PLEASE CONTACT

Hyundai Construction Equipment Europe nv

Hyundailaan 4, 3980 Tessenderlo, Belgium Tel: (32) 14-56-2200 Fax: (32) 14-59-3405 www.hyundai.eu

EN - 2017.11 Rev 3